

Notes:

1. Unless shown otherwise or indicated in the Specification, whichever is the more onerous, dimensional tolerance is to be in accordance with Tables 1 and 2 of BS 5606.
2. All dimensions are in millimetres (mm) unless noted otherwise. DO NOT SCALE FROM THIS DRAWING, USE FIGURED DIMENSIONS ONLY.
3. This drawing is to be read in conjunction with the Specification and any Specialist drawings.
4. UNLESS THE REVISION OF THIS DRAWING IS DENOTED BY THE PREFIX C THEN THIS DRAWING IS NOT FOR CONSTRUCTION.
5. Detailed design of temporary traffic management by others
6. Approval from local authority to be acquired prior to installation

IF IN DOUBT ASK

FOR INFORMATION ONLY

P01	06/01/23	First Issue	JRB	OP	-
Issue	Date	Description	Drawn	Des.	Chkd.

Issue codes: F - Feasibility | T - Tender | P - Preliminary | C - Construction | AB - As Built

Drawing status: **FOR APPROVAL**



Kier Professional Services Limited
160 Aztec West, Bristol, BS32 4TU.

www.kier.co.uk professional.services@kier.co.uk

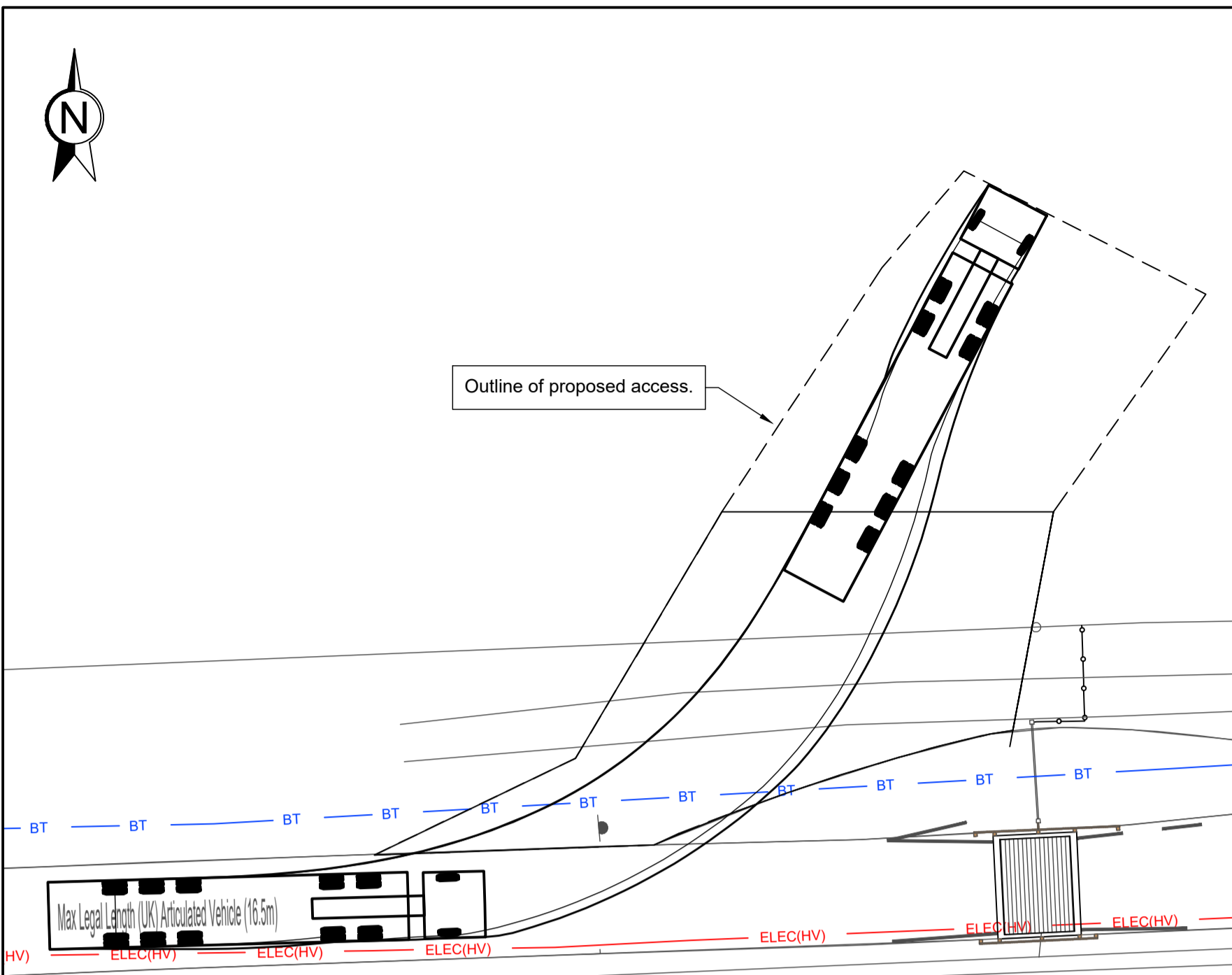
Client: REGIONAL CIVILS

Contract: ARNES MOORS

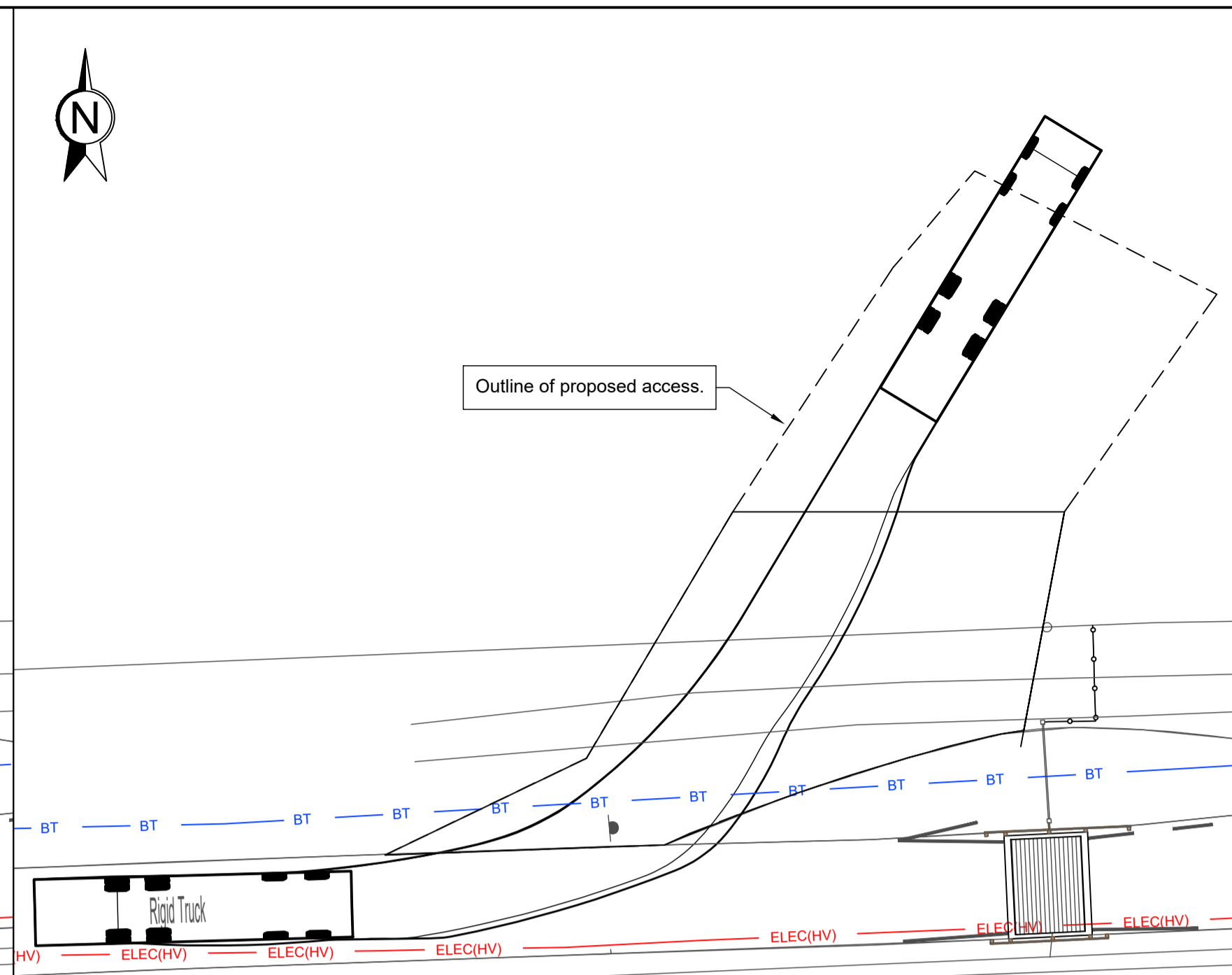
Title: VEHICLE TRACKING

Scale (A1): As Shown

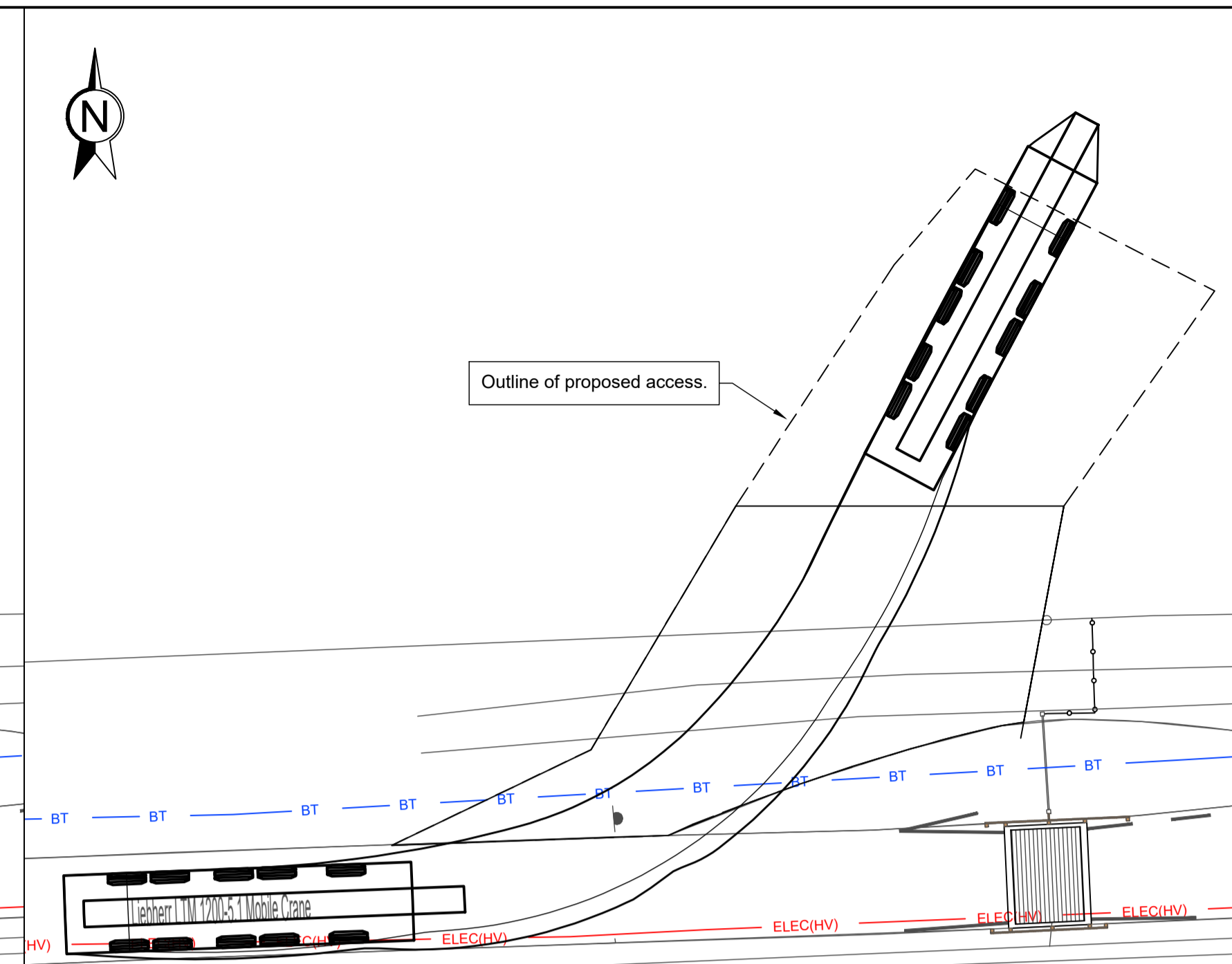
Drawing No. 56-21009-DR-0003 Issue P 01



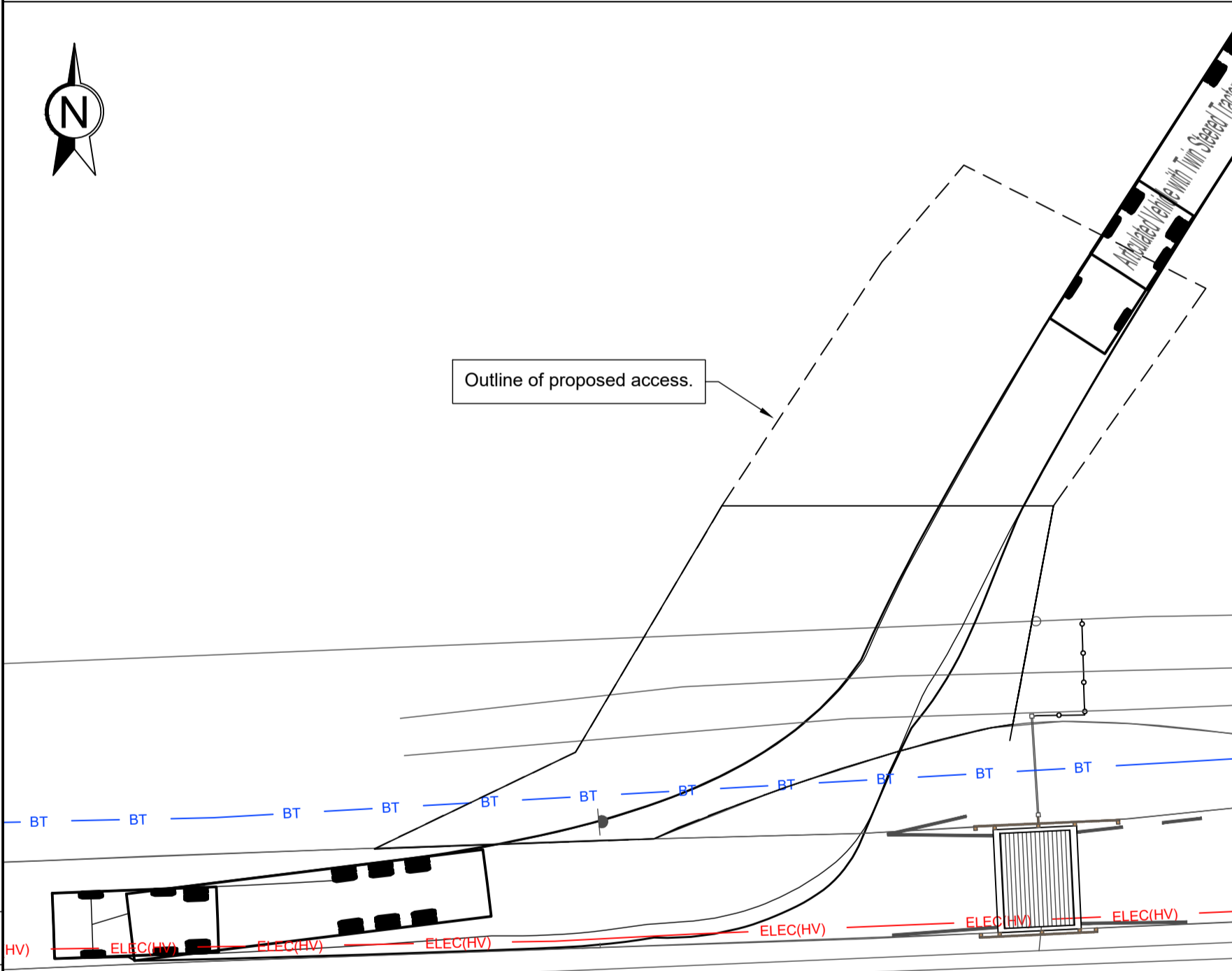
MAX. UK LEGAL ARTICULATED VEHICLE (16.5m)
IN BOUND
Scale 1:200



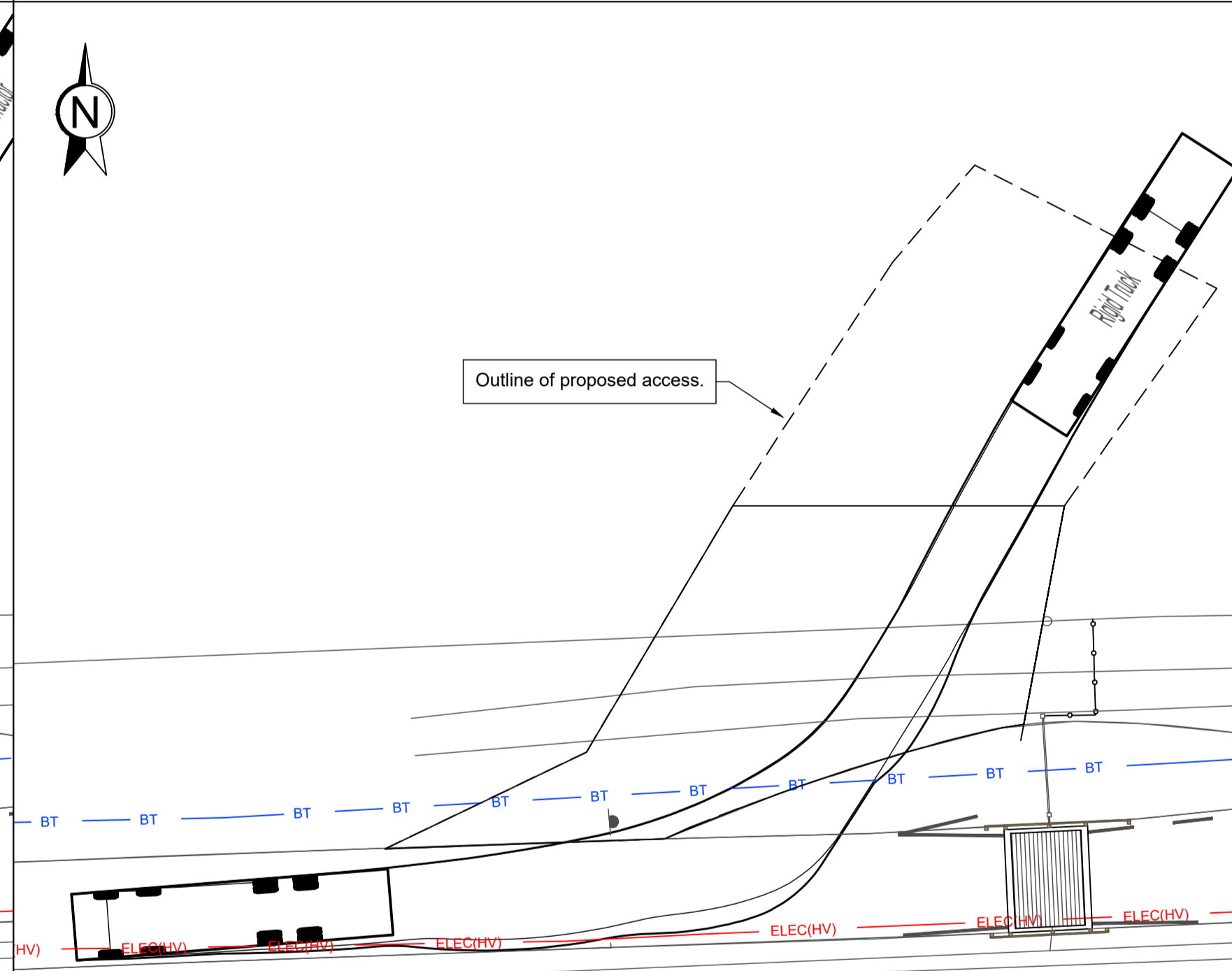
8 WHEEL RIGID TRUCK
IN BOUND
Scale 1:200



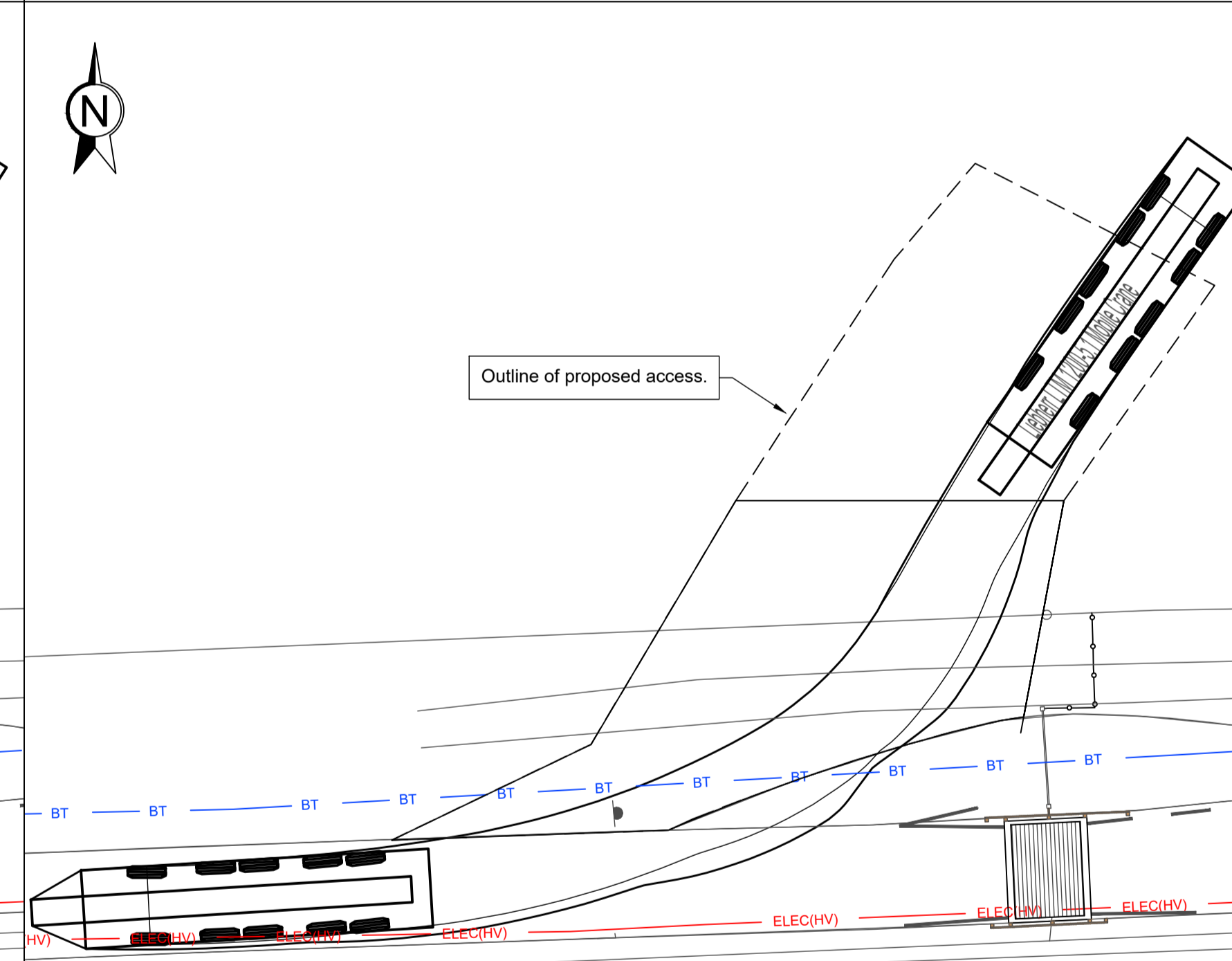
200t MOBILE CRANE (LEIBHERR LTM 1200-5.1)
IN BOUND
Scale 1:200



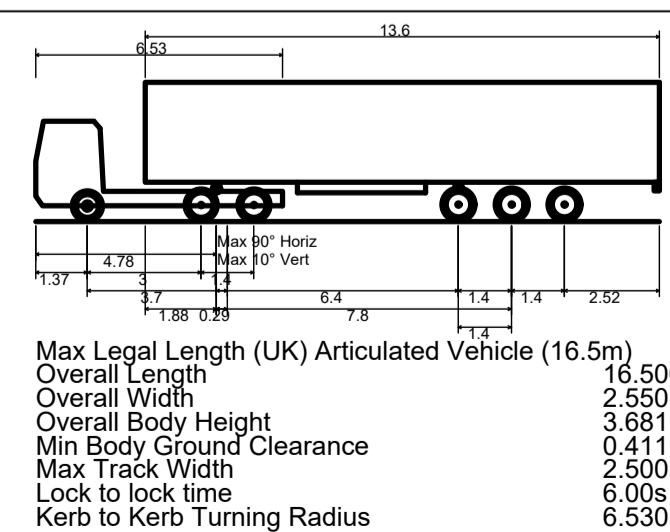
MAX. UK LEGAL ARTICULATED VEHICLE (16.5m)
OUT BOUND
Scale 1:200



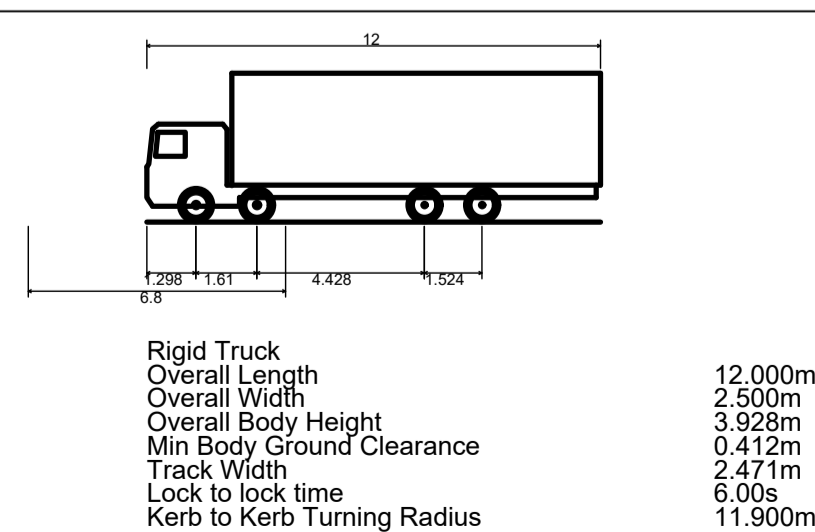
8 WHEEL RIGID TRUCK
OUT BOUND
Scale 1:200



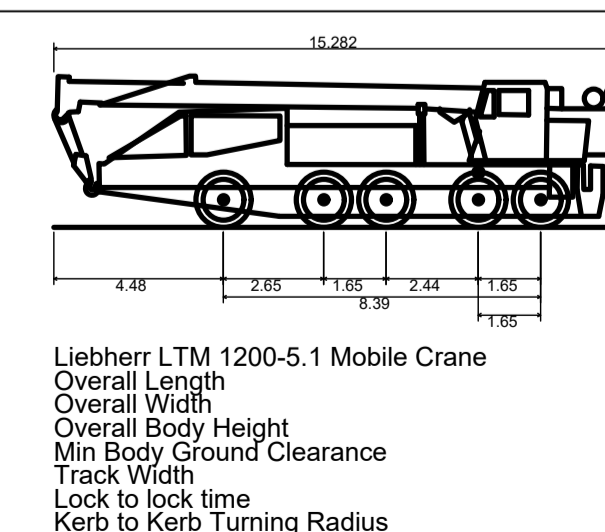
200t MOBILE CRANE (LEIBHERR LTM 1200-5.1)
OUT BOUND
Scale 1:200



VEHICLE PROFILE - MAX. UK LEGAL ARTICULATED VEHICLE (16.5m)
Scale 1:200



VEHICLE PROFILE - 8 WHEEL RIGID TRUCK
Scale 1:200



VEHICLE PROFILE - 200t MOBILE CRANE (LEIBHERR LTM 1200-5.1)
Scale 1:200